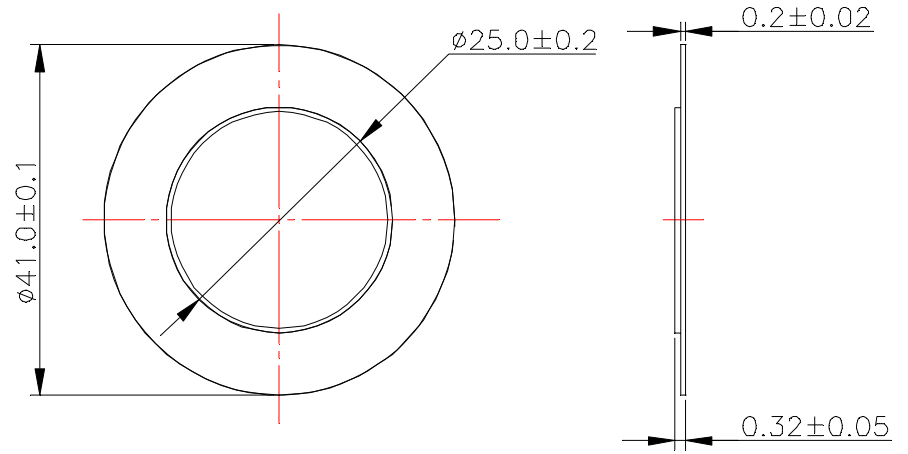


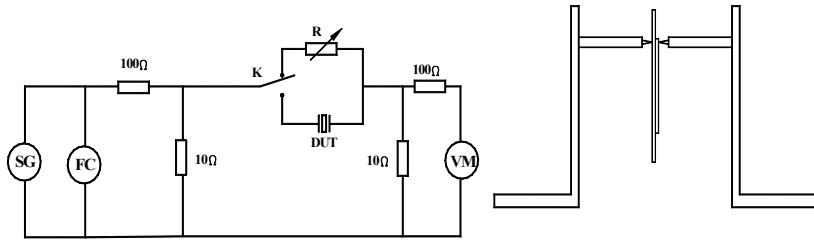
SPECIFICATIONS	
Resonant Frequency (KHz)	4.5±0.5
Resonant Impedance	R: ≤600Ω
Static Capacitance At 120Hz (pF)	80000±30%
Input Voltage	Vp-p: <b>30 max</b>
Operating Temperature (°C)	-20~+60
Storage Temperature (°C)	-30~+70
Metal Thickness	Stainless steel
Test Point	Within 1mm form edge of silver coat

REVISIONHISTORY			
LTR	DESCRIPTION	DATE	APPROVED

**DIMENSION:**



**TESTING CIRCUIT AND CLAMPING METHOD**



SG: oscillator, FC: frequency meter,  
R: variable resistor, VM: voltage meter,  
DUT: piezoceramic element under test

The piezoceramic element shall be clamped at a node point as shown above to be free from any mechanical stress, and measured its resonant frequency and resonant impedance.

**NOTES:**

1. ALL DIMENSIONS ARE IN MILLIMETERS.
2. SPECIFICATIONS SUBJECT TO CHANGE OR WITHDRAWAL WITHOUT NOTICE.
3. THIS PART IS ROHS 2002/95/EC COMPLIANT.

UNLESS OTHERWISE SPECIFIED	SIZE	Designed by	Date	Checked by	Date	Approved by	Date
		Piezo Element		FT-41G -4.5A1			
DIMENSIONS ARE IN MILLIMETERS	A4			<b>Changzhou Shenghui Electronic Co.,Ltd</b> Tel:+86 519 85118108 Fax:+86 519 85108596 sales@shenghui.com http://www.shenghui.com			
TOLERANCES ARE ±0.5 AND ANGLES ARE±3°							